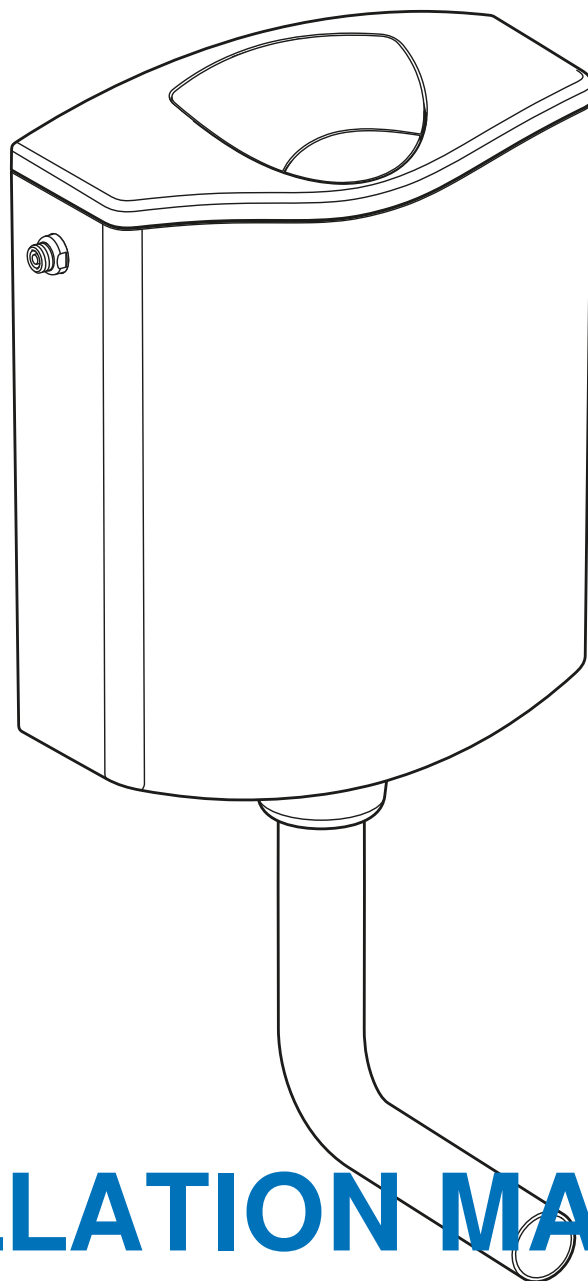


**AP116PLUS**

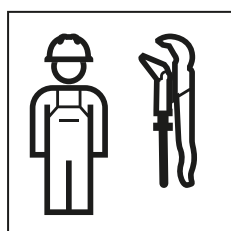


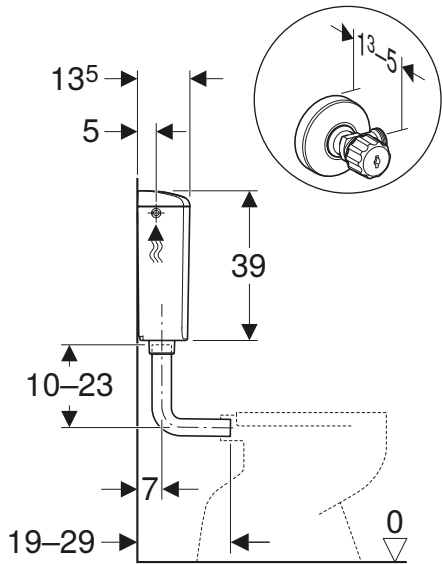
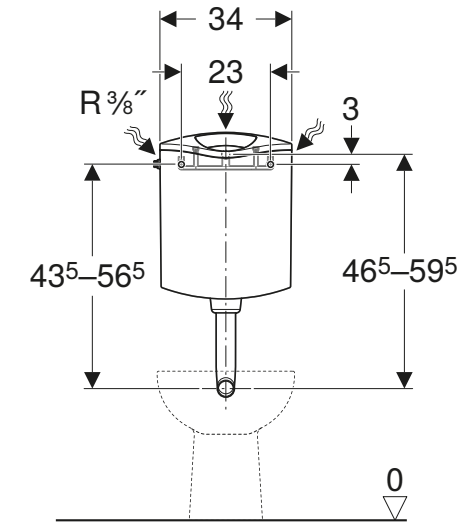
# INSTALLATION MANUAL

MONTAGEANLEITUNG

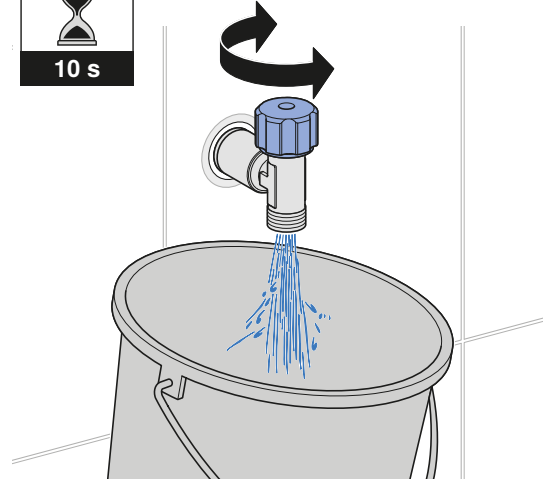
INSTRUCTIONS DE MONTAGE

ISTRUZIONI PER IL MONTAGGIO

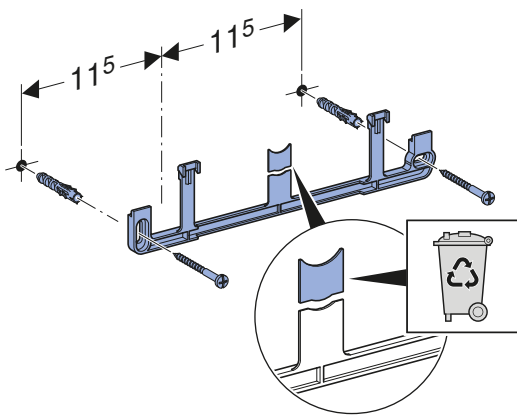
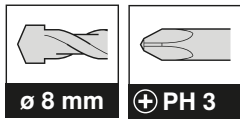
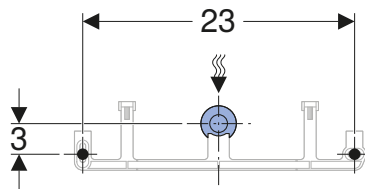
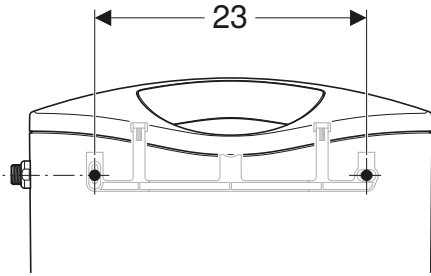
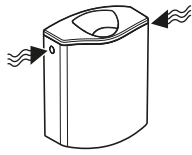




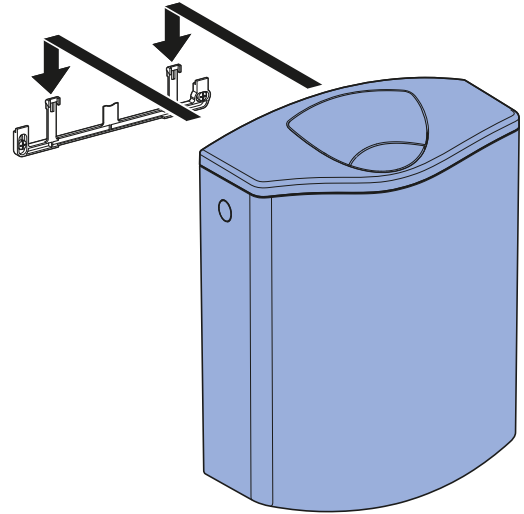
1



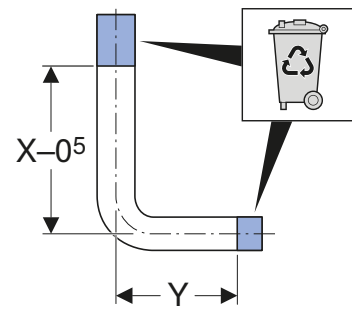
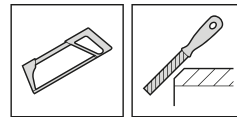
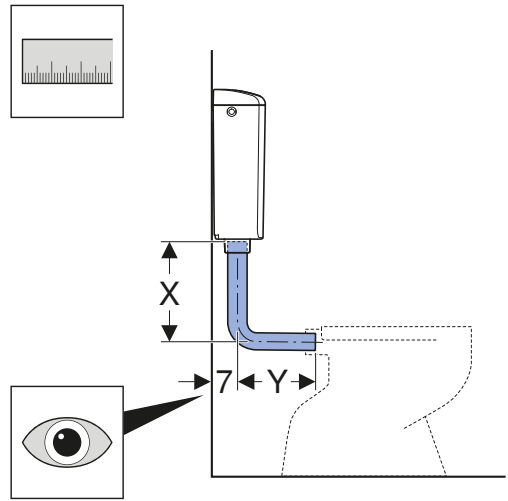
2



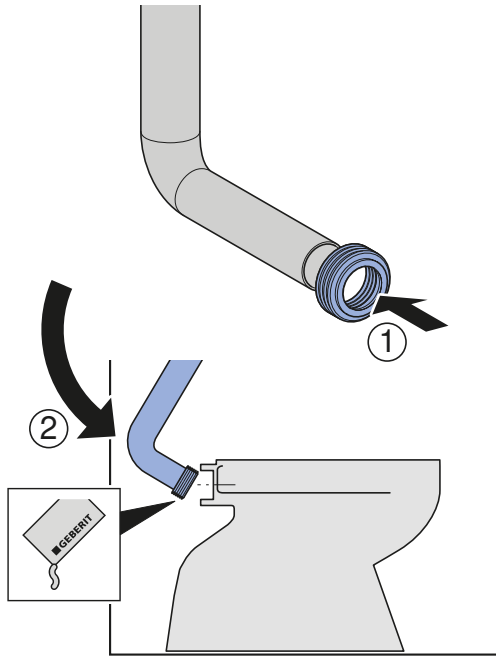
3



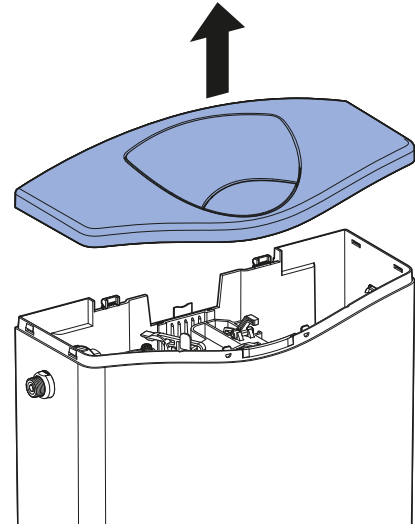
4



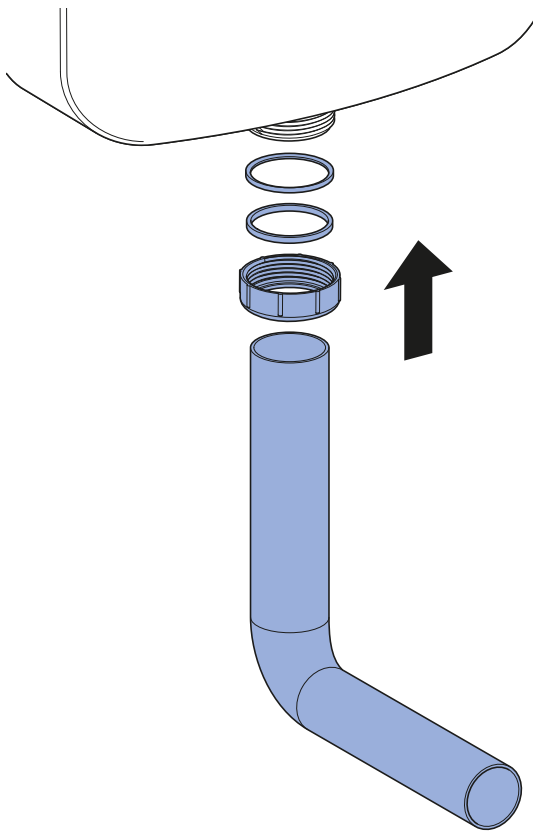
5



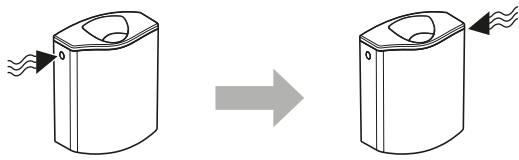
7



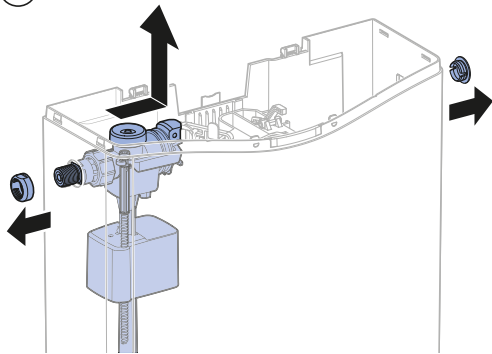
6



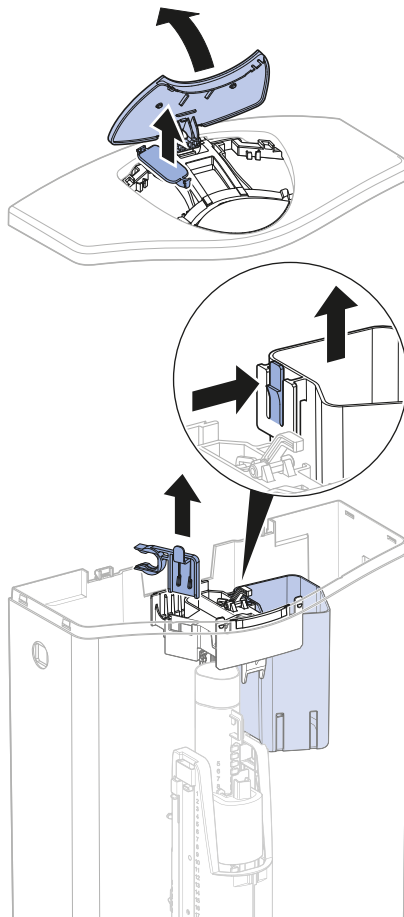
**i**



①

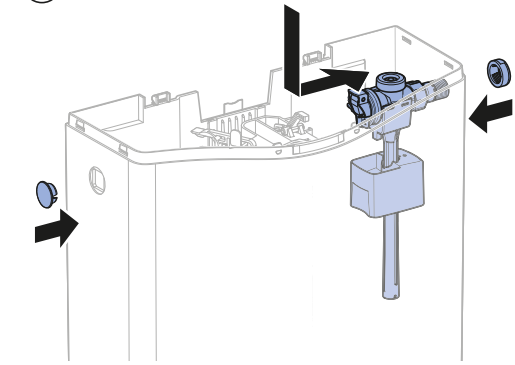


②

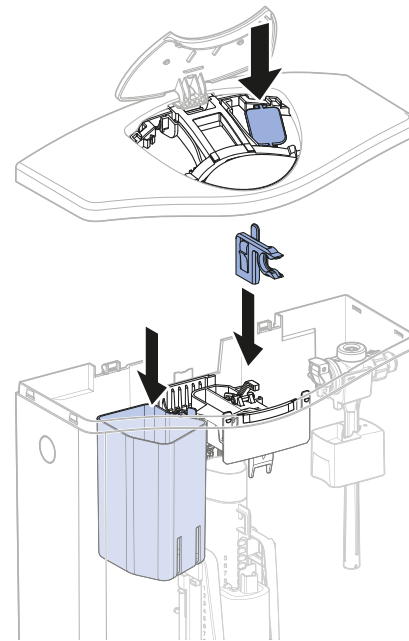


**i**

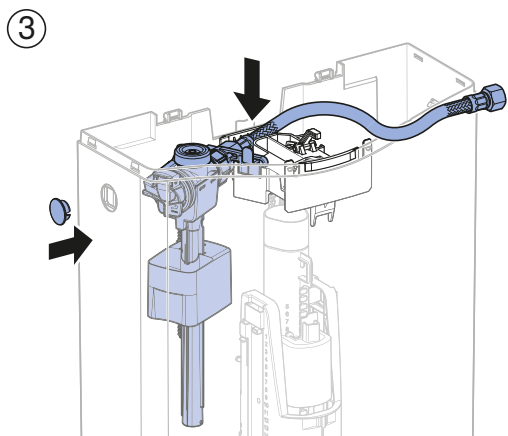
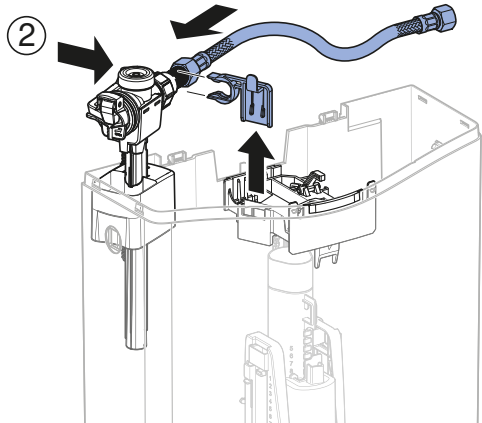
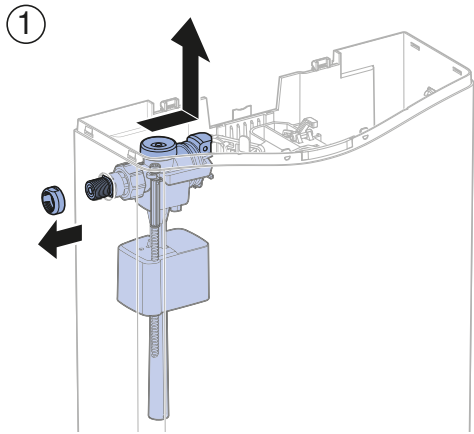
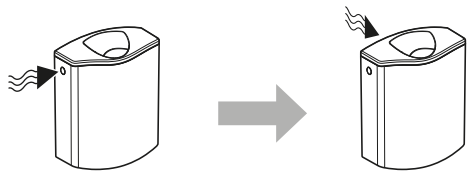
③



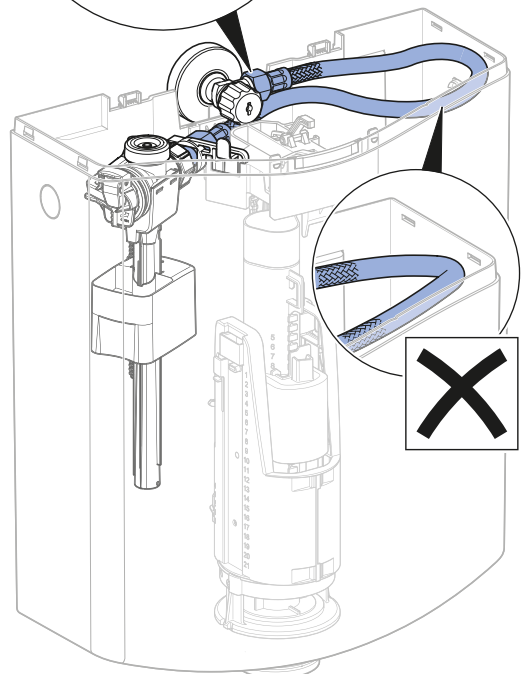
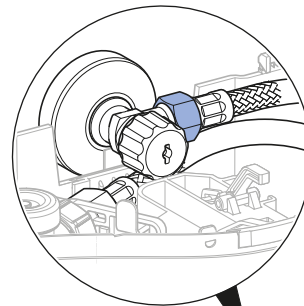
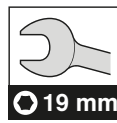
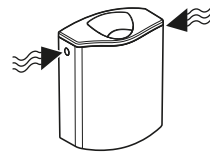
④



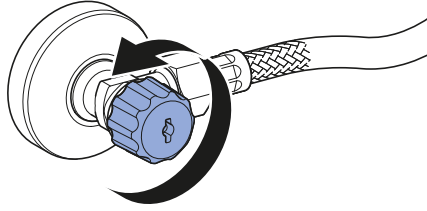
**i**



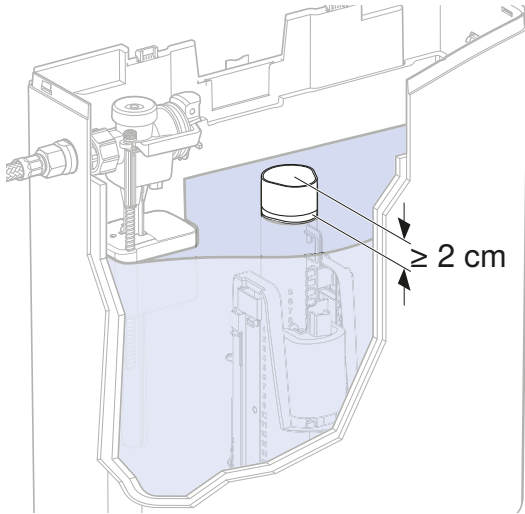
**8**



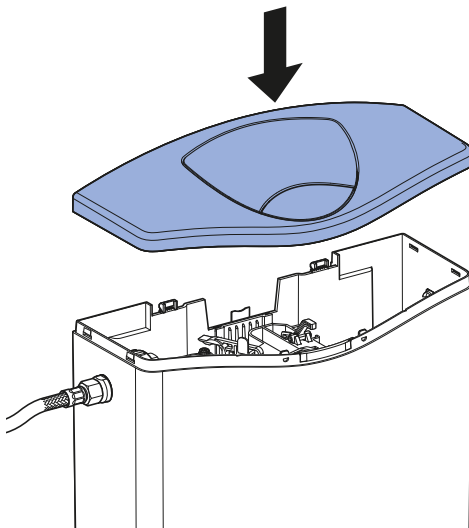
9



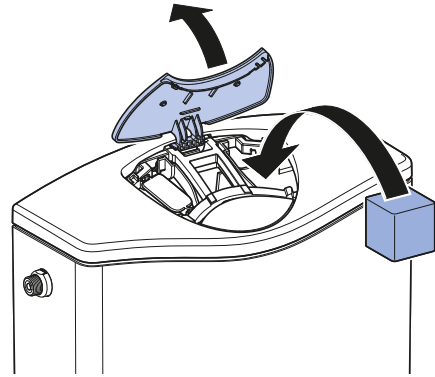
i



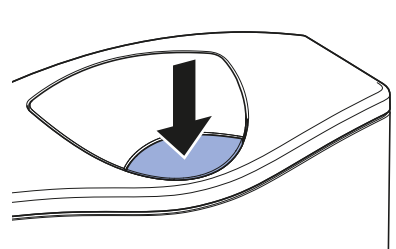
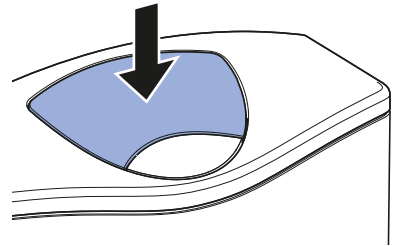
10



1



2



---

**Geberit International AG**  
Schachenstrasse 77, CH-8645 Jona  
documentation@geberit.com  
www.geberit.com

